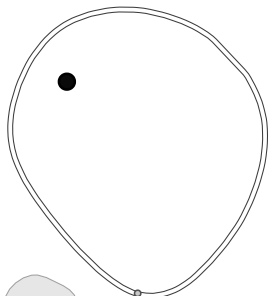
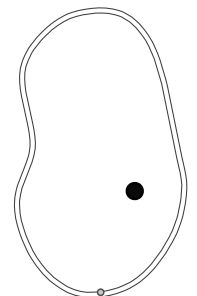


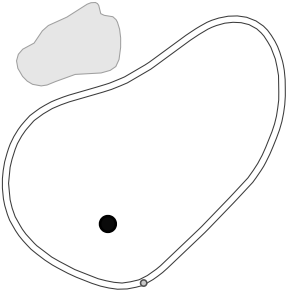
1
+10
D: 39
29 L6

A diagram of a golf hole with a circular green and a rectangular fairway. A black dot indicates the ball's position in the upper left quadrant of the green. A small circle at the bottom of the green represents the hole.

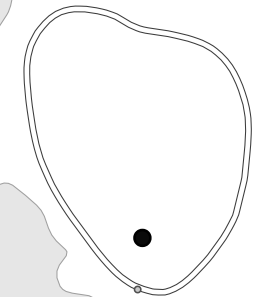
7
-5
D: 36
13 R6

A diagram of a golf hole with a circular green and a rectangular fairway. A black dot indicates the ball's position in the right half of the green. A small circle at the bottom of the green represents the hole.

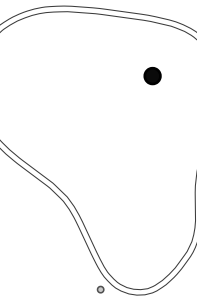
13
-7
D: 26
6 L9

A diagram of a golf hole with a circular green and a rectangular fairway. A black dot indicates the ball's position in the lower left quadrant of the green. A small circle at the bottom of the green represents the hole.

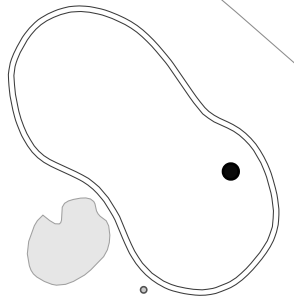
2
-10
D: 32
6 R9

A diagram of a golf hole with a circular green and a rectangular fairway. A black dot indicates the ball's position in the lower right quadrant of the green. A small circle at the bottom of the green represents the hole.

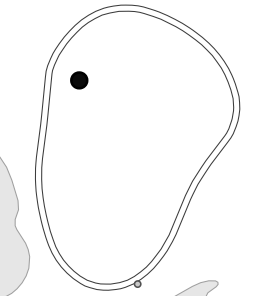
8
+9
D: 33
25 R8

A diagram of a golf hole with a circular green and a rectangular fairway. A black dot indicates the ball's position in the upper right quadrant of the green. A small circle at the bottom of the green represents the hole.

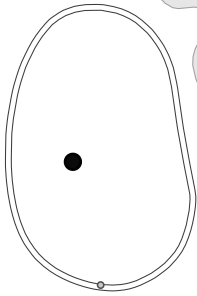
14
-2
D: 33
14 R4

A diagram of a golf hole with a circular green and a rectangular fairway. A black dot indicates the ball's position in the right half of the green. A small circle at the bottom of the green represents the hole.

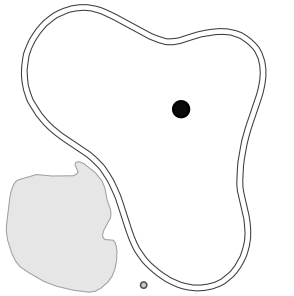
3
+7
D: 29
22 L3

A diagram of a golf hole with a circular green and a rectangular fairway. A black dot indicates the ball's position in the upper left quadrant of the green. A small circle at the bottom of the green represents the hole.

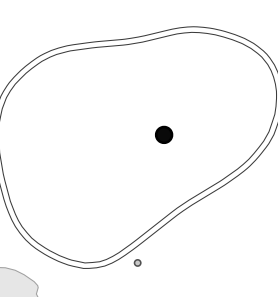
9
-2
D: 31
14 L7

A diagram of a golf hole with a circular green and a rectangular fairway. A black dot indicates the ball's position in the left half of the green. A small circle at the bottom of the green represents the hole.

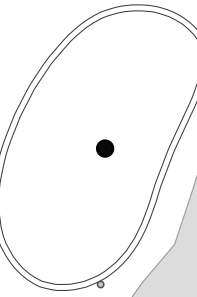
15
+4
D: 31
20 R8

A diagram of a golf hole with a circular green and a rectangular fairway. A black dot indicates the ball's position in the upper right quadrant of the green. A small circle at the bottom of the green represents the hole.

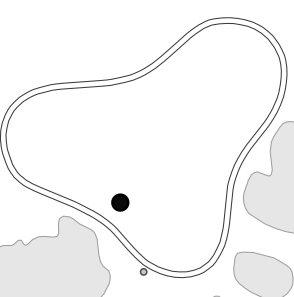
4
+1
D: 27
15 R12

A diagram of a golf hole with a circular green and a rectangular fairway. A black dot indicates the ball's position in the right half of the green. A small circle at the bottom of the green represents the hole.

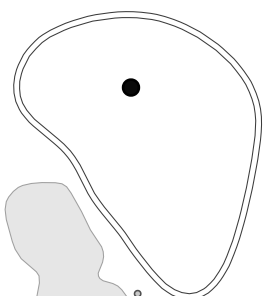
10
0
D: 30
15 R7

A diagram of a golf hole with a circular green and a rectangular fairway. A black dot indicates the ball's position in the center of the green. A small circle at the bottom of the green represents the hole.

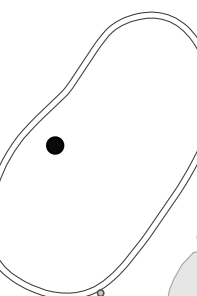
16
-6
D: 29
8 L5

A diagram of a golf hole with a circular green and a rectangular fairway. A black dot indicates the ball's position in the lower left quadrant of the green. A small circle at the bottom of the green represents the hole.

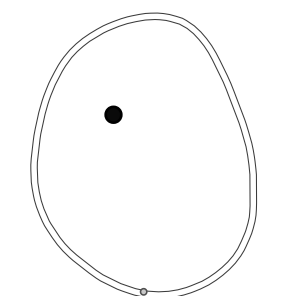
5
+8
D: 31
23 R13

A diagram of a golf hole with a circular green and a rectangular fairway. A black dot indicates the ball's position in the upper right quadrant of the green. A small circle at the bottom of the green represents the hole.

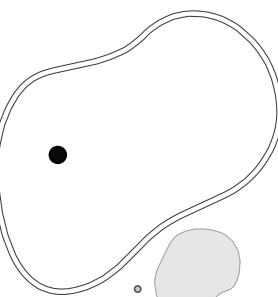
11
+1
D: 30
16 L4

A diagram of a golf hole with a circular green and a rectangular fairway. A black dot indicates the ball's position in the left half of the green. A small circle at the bottom of the green represents the hole.

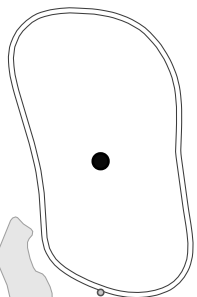
17
+4
D: 28
18 L7

A diagram of a golf hole with a circular green and a rectangular fairway. A black dot indicates the ball's position in the upper left quadrant of the green. A small circle at the bottom of the green represents the hole.

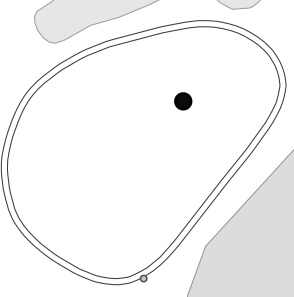
6
0
D: 33
16 L7

A diagram of a golf hole with a circular green and a rectangular fairway. A black dot indicates the ball's position in the left half of the green. A small circle at the bottom of the green represents the hole.

12
-1
D: 36
17 L8

A diagram of a golf hole with a circular green and a rectangular fairway. A black dot indicates the ball's position in the center of the green. A small circle at the bottom of the green represents the hole.

18
+5
D: 27
19 R10

A diagram of a golf hole with a circular green and a rectangular fairway. A black dot indicates the ball's position in the right half of the green. A small circle at the bottom of the green represents the hole.