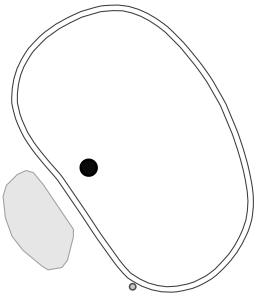


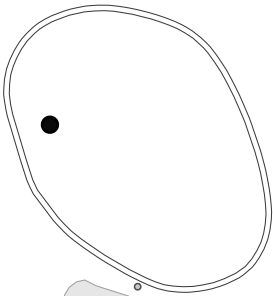
Wild Horse Golf Course

Rounds One and Two

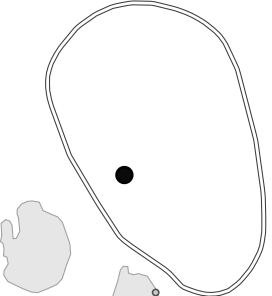
1  
**-2**  
D: 32  
14 L4

A diagram of a golf hole with a circular green and a circular hole. A black dot representing the ball is positioned near the top edge of the green. A small circle at the bottom of the hole indicates the hole's location. A grey shaded area is located to the left of the hole.

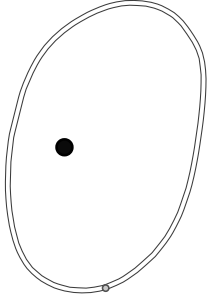
7  
**+3**  
D: 32  
19 L4

A diagram of a golf hole with a circular green and a circular hole. A black dot representing the ball is positioned near the top edge of the green. A small circle at the bottom of the hole indicates the hole's location. A grey shaded area is located below the hole.

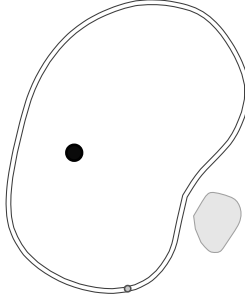
13  
**-4**  
D: 49  
20 L7

A diagram of a golf hole with a circular green and a circular hole. A black dot representing the ball is positioned near the top edge of the green. A small circle at the bottom of the hole indicates the hole's location. Grey shaded areas are located to the left and below the hole.

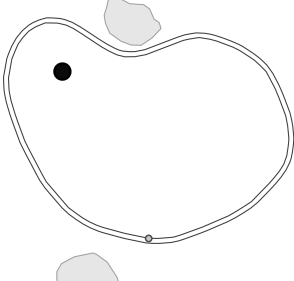
2  
**0**  
D: 38  
19 L7

A diagram of a golf hole with a circular green and a circular hole. A black dot representing the ball is positioned near the top edge of the green. A small circle at the bottom of the hole indicates the hole's location.

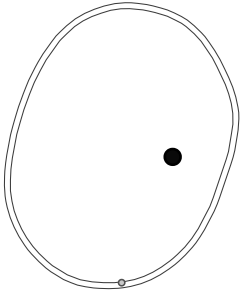
8  
**-1**  
D: 40  
19 L8

A diagram of a golf hole with a circular green and a circular hole. A black dot representing the ball is positioned near the top edge of the green. A small circle at the bottom of the hole indicates the hole's location. A grey shaded area is located to the right of the hole.

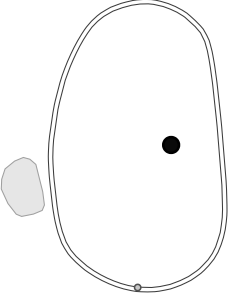
14  
**+8**  
D: 28  
22 L7

A diagram of a golf hole with a circular green and a circular hole. A black dot representing the ball is positioned near the top edge of the green. A small circle at the bottom of the hole indicates the hole's location. Grey shaded areas are located above and below the hole.

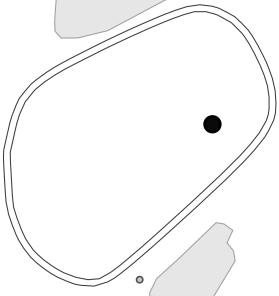
3  
**-1**  
D: 30  
14 R6

A diagram of a golf hole with a circular green and a circular hole. A black dot representing the ball is positioned near the top edge of the green. A small circle at the bottom of the hole indicates the hole's location.

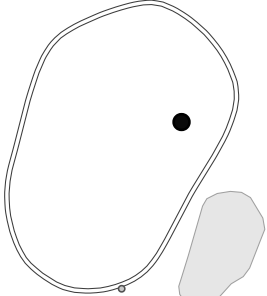
9  
**+0**  
D: 42  
21 R7

A diagram of a golf hole with a circular green and a circular hole. A black dot representing the ball is positioned near the top edge of the green. A small circle at the bottom of the hole indicates the hole's location. A grey shaded area is located to the left of the hole.

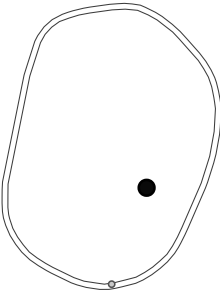
15  
**+2**  
D: 26  
15 R5

A diagram of a golf hole with a circular green and a circular hole. A black dot representing the ball is positioned near the top edge of the green. A small circle at the bottom of the hole indicates the hole's location. Grey shaded areas are located above and below the hole.

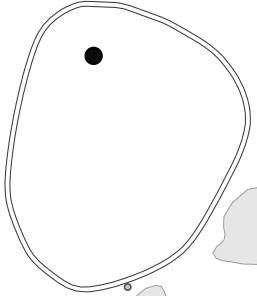
4  
**+4**  
D: 43  
25 R7

A diagram of a golf hole with a circular green and a circular hole. A black dot representing the ball is positioned near the top edge of the green. A small circle at the bottom of the hole indicates the hole's location. A grey shaded area is located to the right of the hole.

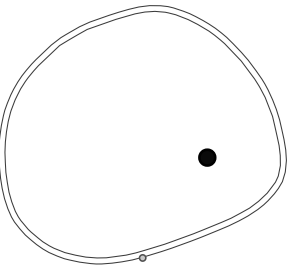
10  
**-5**  
D: 31  
11 R6

A diagram of a golf hole with a circular green and a circular hole. A black dot representing the ball is positioned near the top edge of the green. A small circle at the bottom of the hole indicates the hole's location.

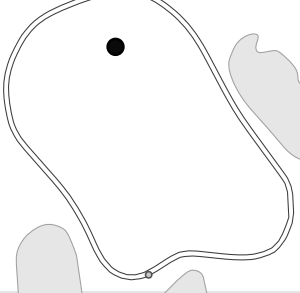
16  
**+12**  
D: 38  
31 L8

A diagram of a golf hole with a circular green and a circular hole. A black dot representing the ball is positioned near the top edge of the green. A small circle at the bottom of the hole indicates the hole's location. A grey shaded area is located to the right of the hole.

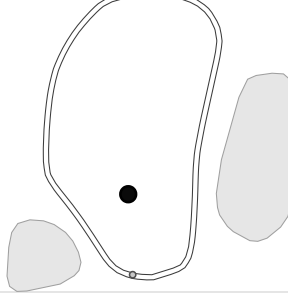
5  
**-3**  
D: 27  
11 R8

A diagram of a golf hole with a circular green and a circular hole. A black dot representing the ball is positioned near the top edge of the green. A small circle at the bottom of the hole indicates the hole's location.

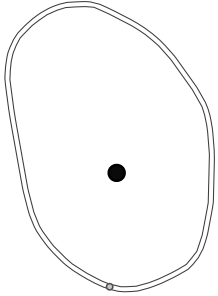
11  
**+12**  
D: 37  
30 R11

A diagram of a golf hole with a circular green and a circular hole. A black dot representing the ball is positioned near the top edge of the green. A small circle at the bottom of the hole indicates the hole's location. Grey shaded areas are located to the right and below the hole.

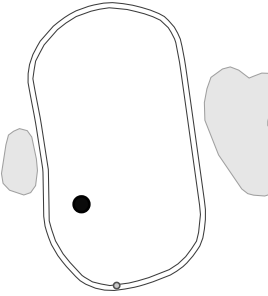
17  
**-7**  
D: 35  
10 L8

A diagram of a golf hole with a circular green and a circular hole. A black dot representing the ball is positioned near the top edge of the green. A small circle at the bottom of the hole indicates the hole's location. Grey shaded areas are located to the left and right of the hole.

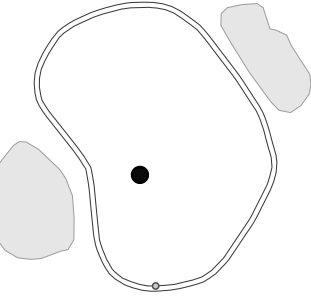
6  
**-3**  
D: 37  
15 L12

A diagram of a golf hole with a circular green and a circular hole. A black dot representing the ball is positioned near the top edge of the green. A small circle at the bottom of the hole indicates the hole's location.

12  
**-7**  
D: 34  
10 L4

A diagram of a golf hole with a circular green and a circular hole. A black dot representing the ball is positioned near the top edge of the green. A small circle at the bottom of the hole indicates the hole's location. Grey shaded areas are located to the left and right of the hole.

18  
**-4**  
D: 35  
14 L6

A diagram of a golf hole with a circular green and a circular hole. A black dot representing the ball is positioned near the top edge of the green. A small circle at the bottom of the hole indicates the hole's location. Grey shaded areas are located to the left and right of the hole.